

EXTERIOR

Engineered Wood Doors



Your choice of Design, Wood and Color

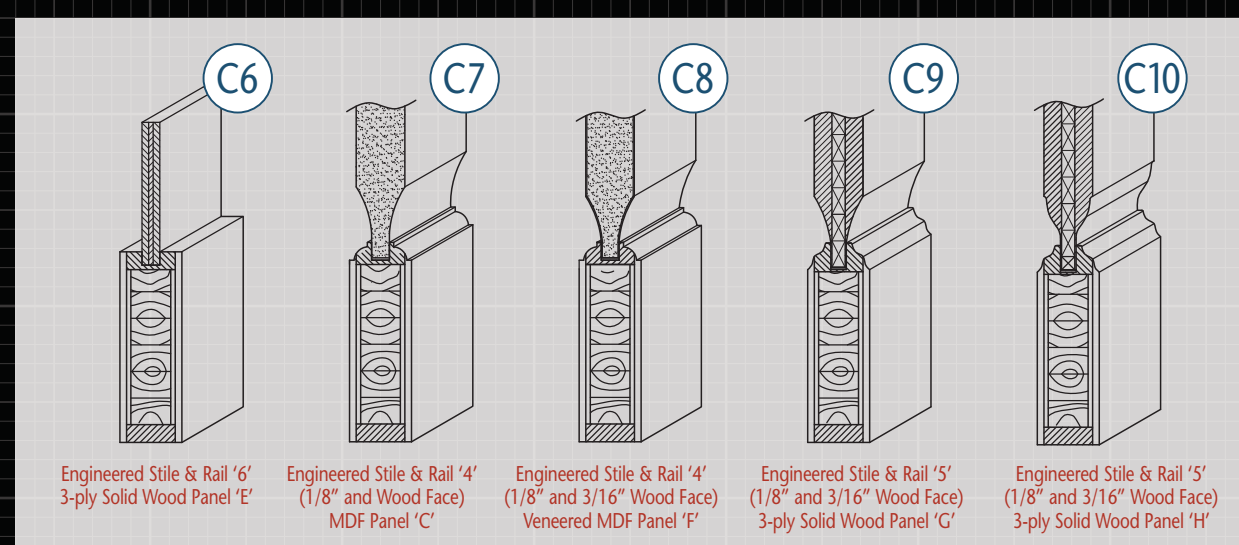
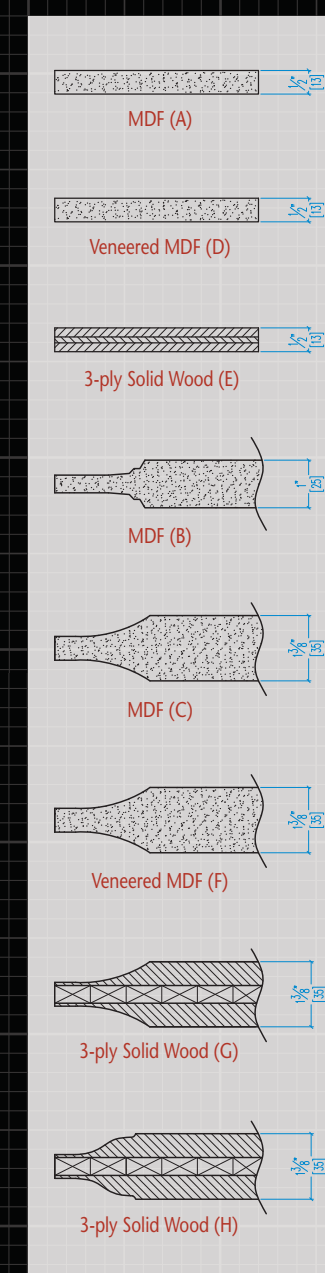
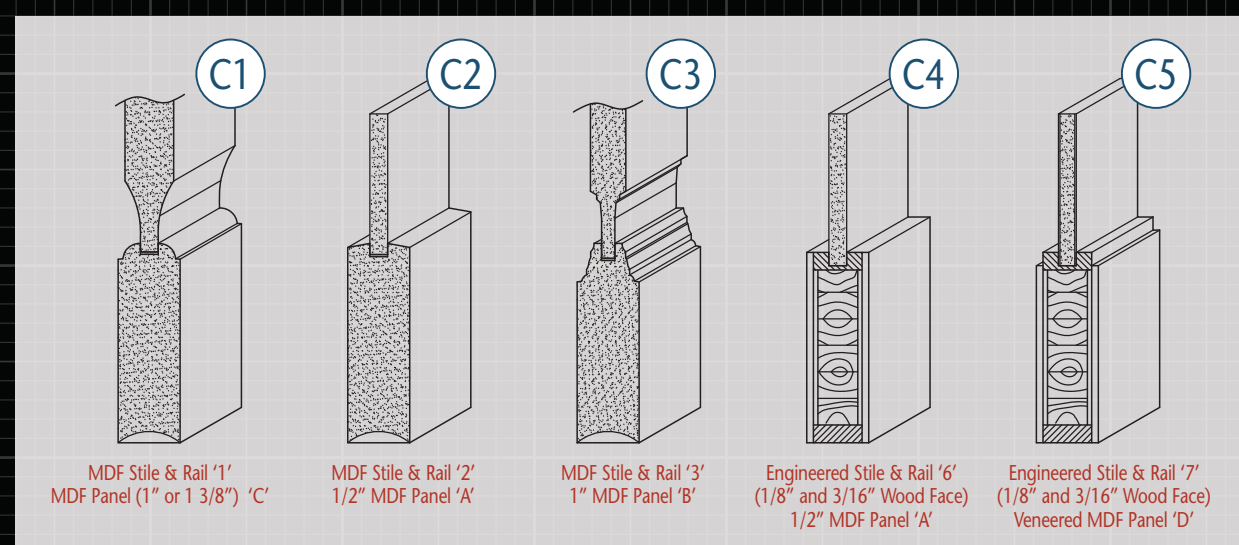
INTERIOR

Engineered Wood Doors



Your choice of Design, Wood and Color

Construction Profiles



Our Finish
 We offer an expansive, colorful palette of stock and custom stains, to suit every decorative style and taste for your door and trim. We utilize high durable, water-based UV Top Coats to ensure a finish that's as attractive to the eyes as it is easy on the environment. We excel in both hand-wiped and standard sprayed application processes for enhanced grain clarity, richer texture and unparalleled appearance.



DOOR WALLS

*Engineered
Wood Doors*



Your choice of Design, Wood and Color



*Exceptional Quality. Enduring Strength. Breathtaking Beauty.
Endless Designs and Selections.*

That's what makes up a Maple Leaf Millworks Door. You dream it; we will build it and deliver a door far beyond industry standards. Our Custom Engineered Wood Doors allows you to choose your wood species, your design, your hardware and finish.

*Creating the Finest in
Engineered Wood Doors*



Creating the Finest in Engineered Wood Doors



3476 Hwy. 17 B • Echo Bay, ON
Canada P0S 1C0
705-248-2696
800-461-0809
f. 705-248-3058
info@mlfp.net

www.mapleleafmillworks.com



EXTERIOR



INTERIOR



DOOR WALLS

*Creating the
Finest in
Engineered
Wood Doors*

